



PS114 x 8

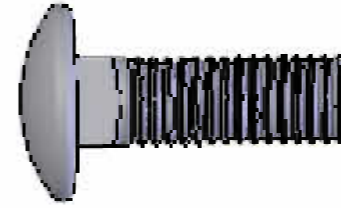


PS206 x 4

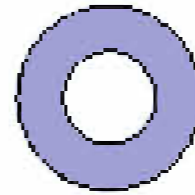
( 1:1 )



FS030 (M8 x 35) x 8



FS058 (M8 x 25) x 8



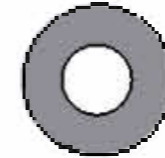
FW021 (M8) x 16



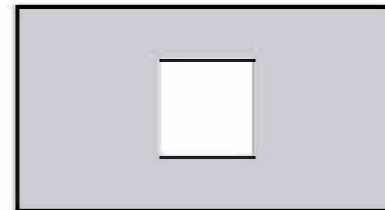
FN006 (M8) x 16



FS006 (M6 x 50) x 2



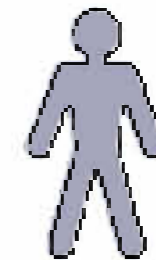
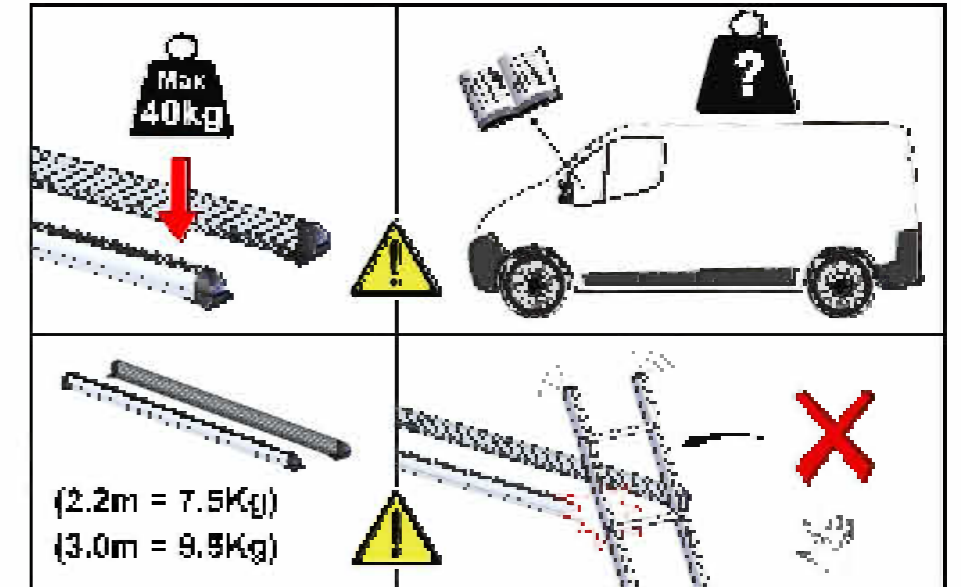
FW001 (M6) x 2



MS393 x 16



(PS042) x 2



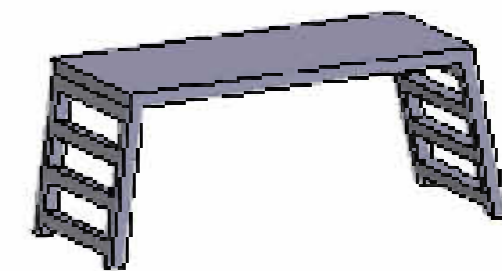
( x 1 )



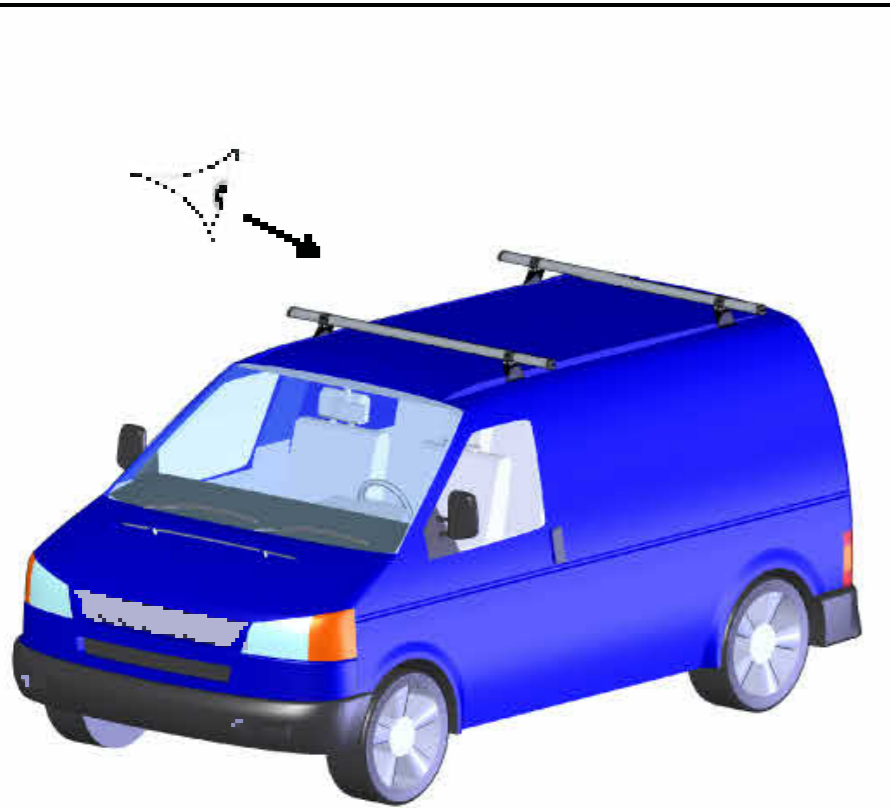
( 10mm x 1 )



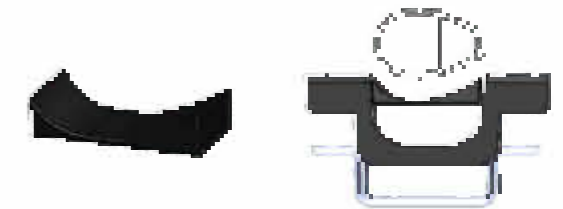
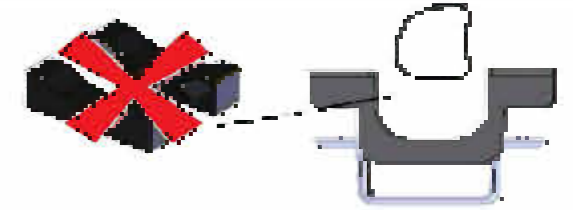
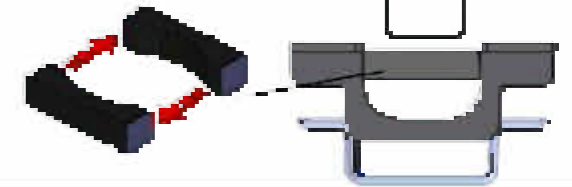
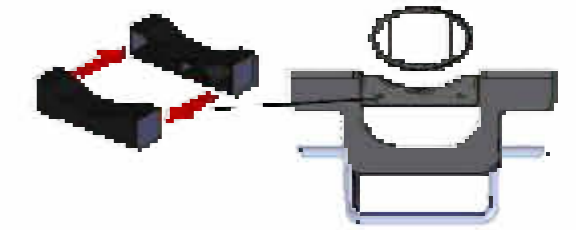
( 13mm x 1 )



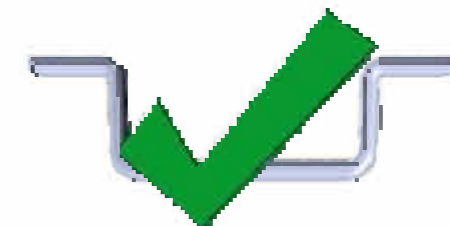
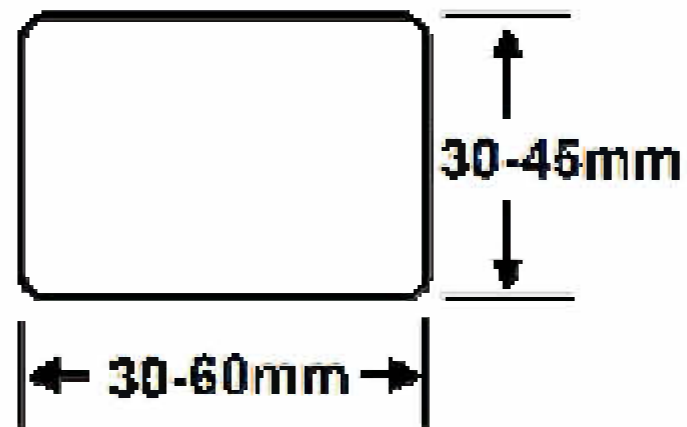
( x 1 )

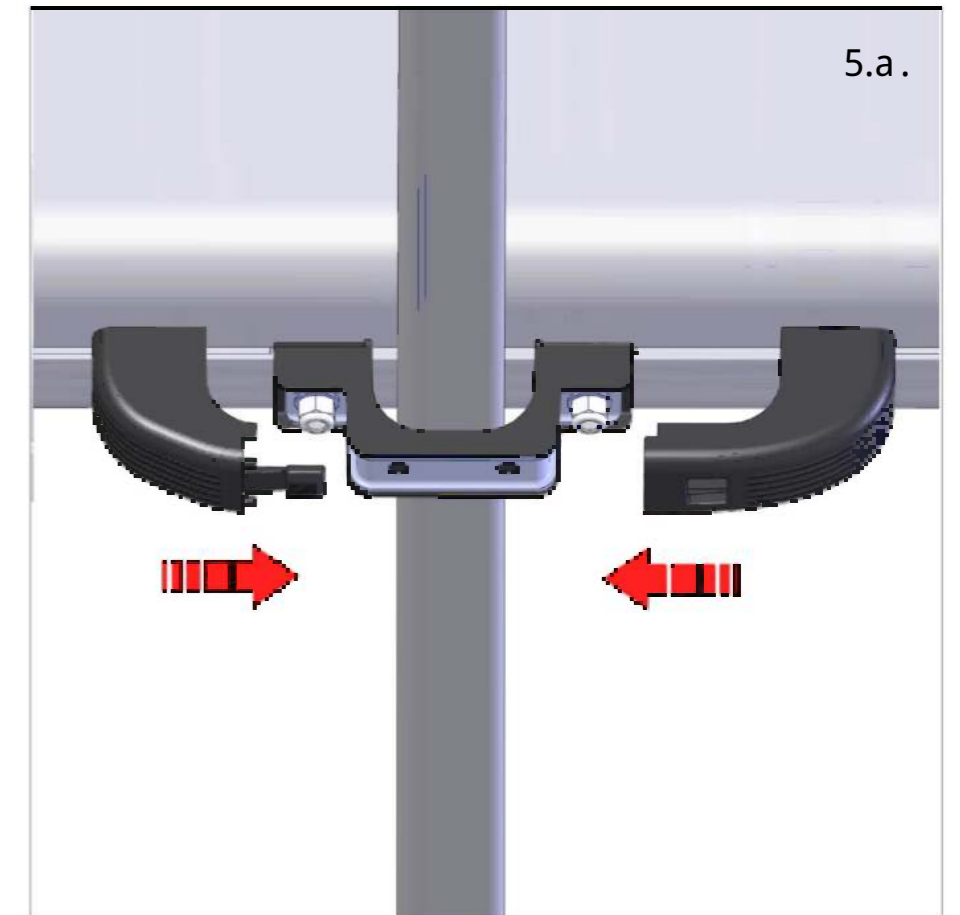
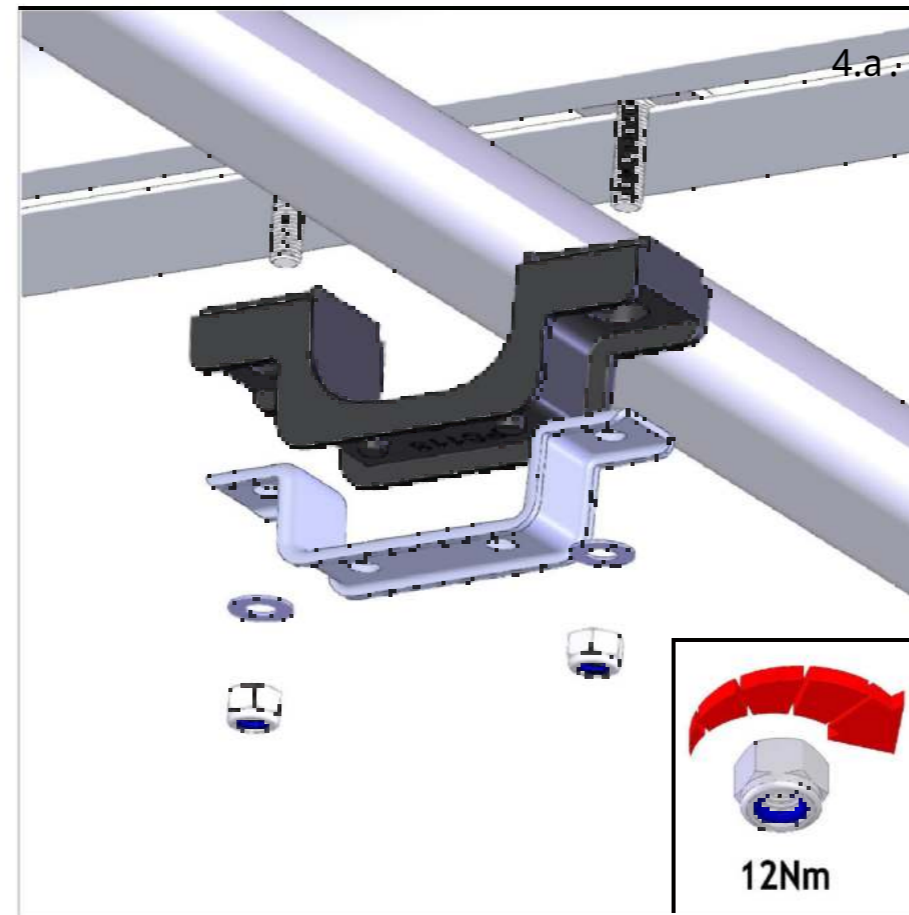
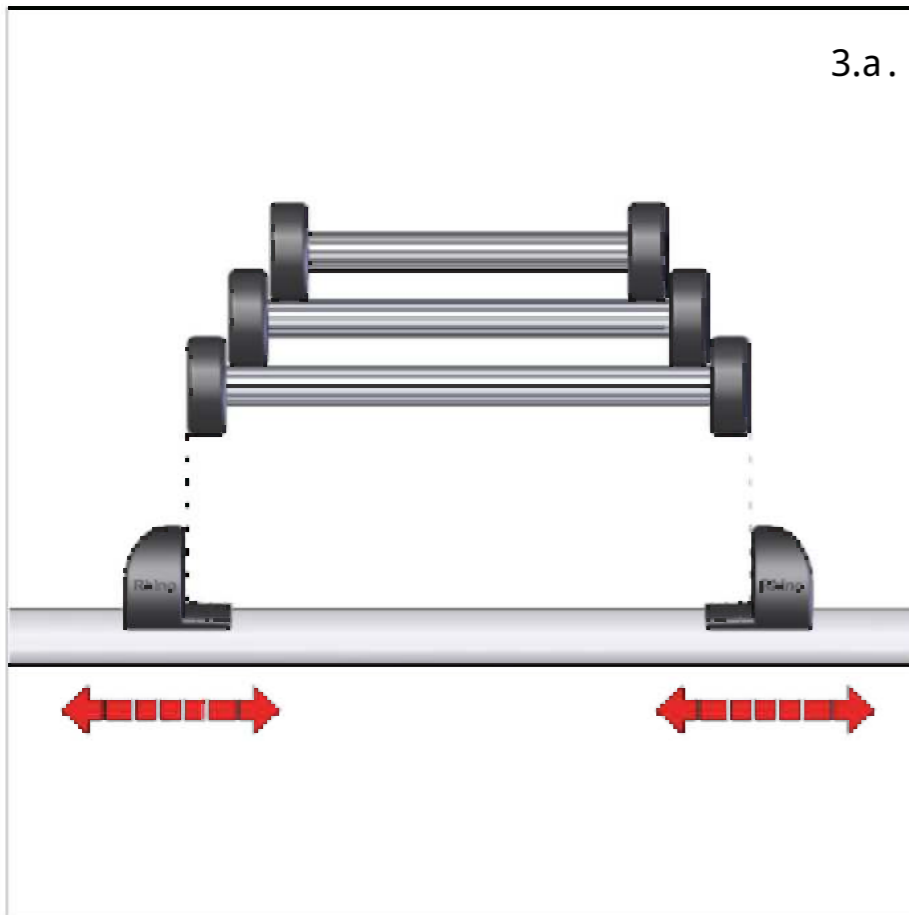
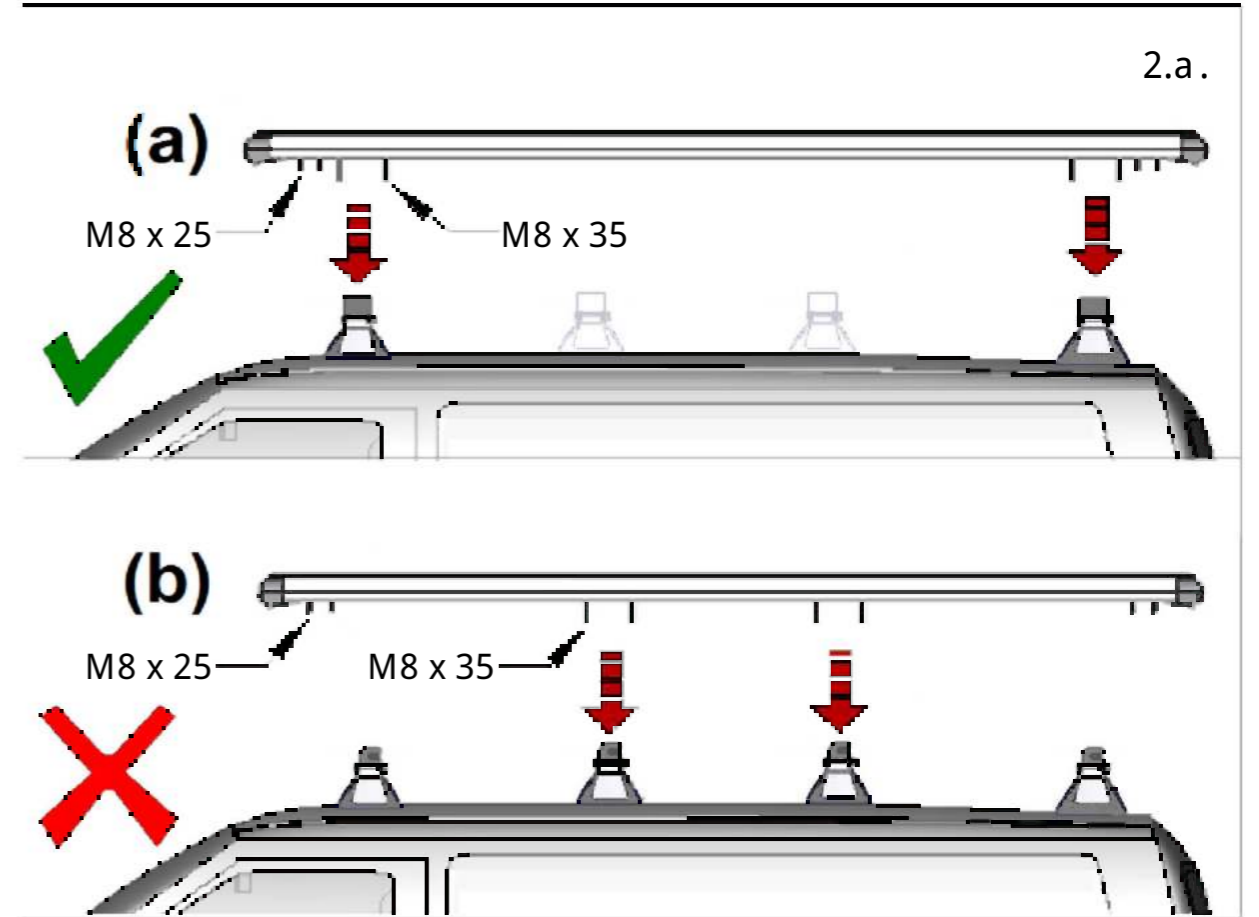
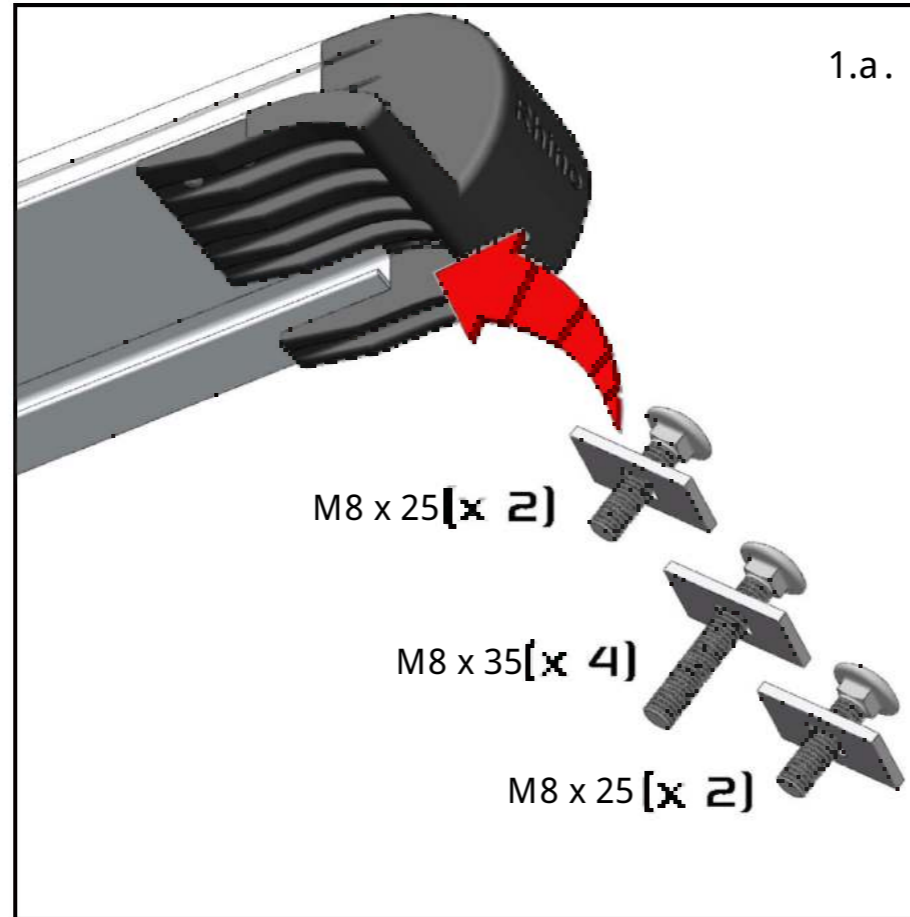
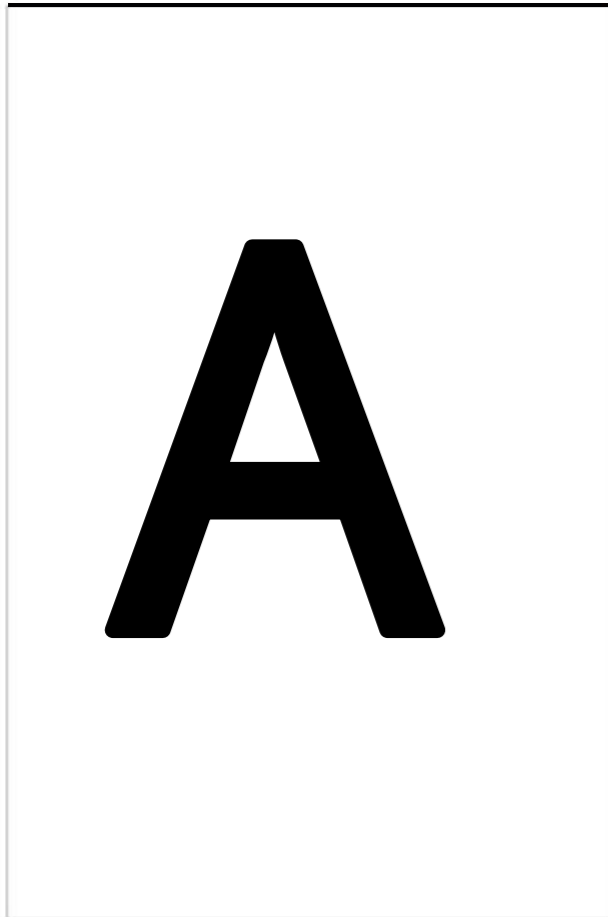


**A**



**B**





# B

