



MS201 x 8



MS176 x 8



29201113 x 8



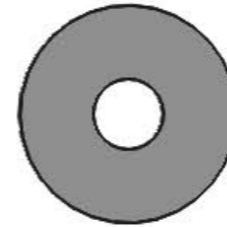
PS023 x 8



FB003 (M8 x 65) x 16



FS042 (M6 x 40) x 16



FW036 (M6) x 32

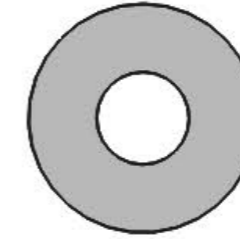


PS208 (M6) x 32



FN001 (M6) x 16

(1:1)



FW002 (M8) x 32



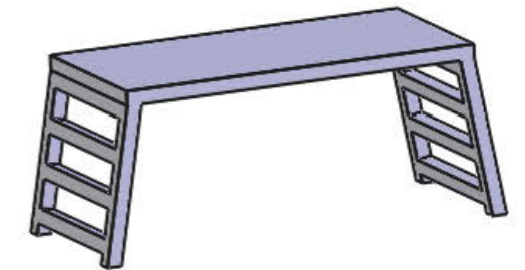
FN006 (M8) x 16



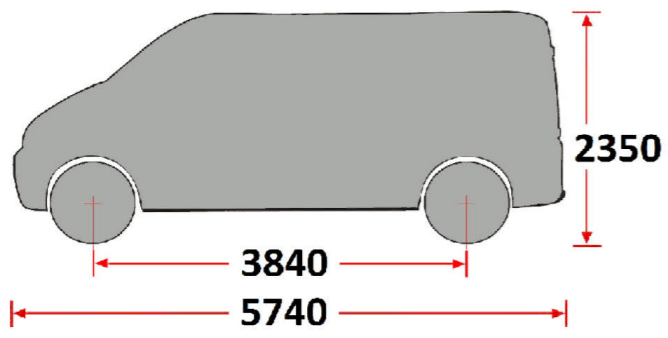
13mm x 2



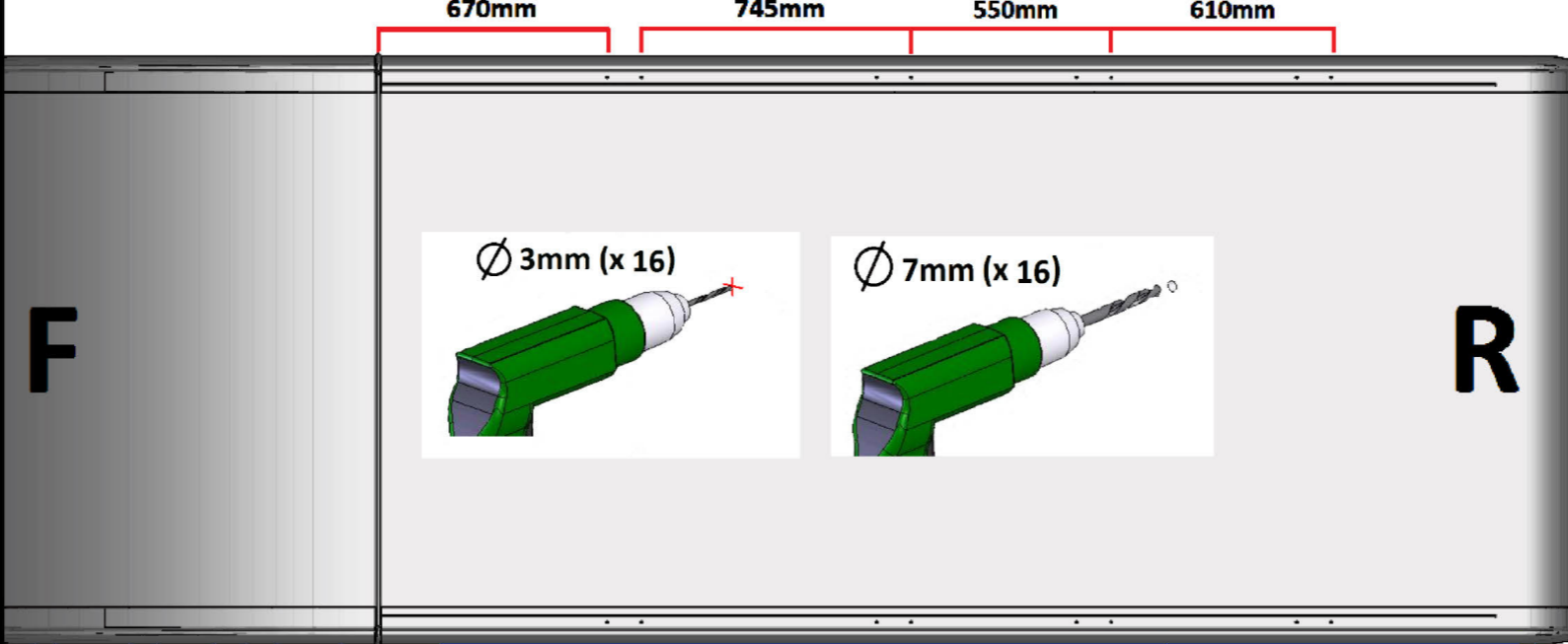
10mm x 2



L2 H2 1a.

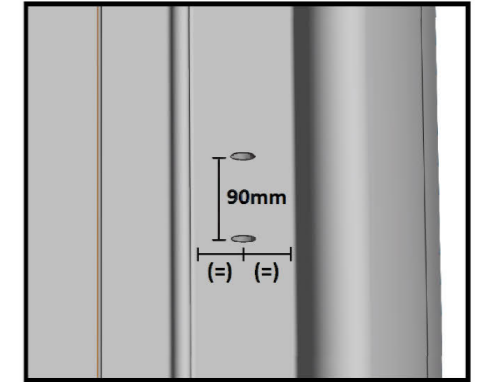


L2 H2



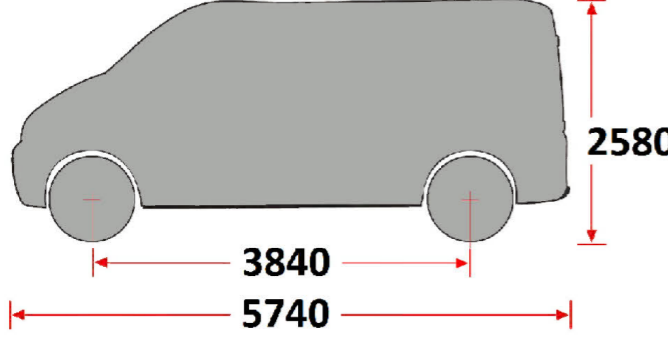
F **R**

$\varnothing 3\text{mm (x 16)}$ $\varnothing 7\text{mm (x 16)}$

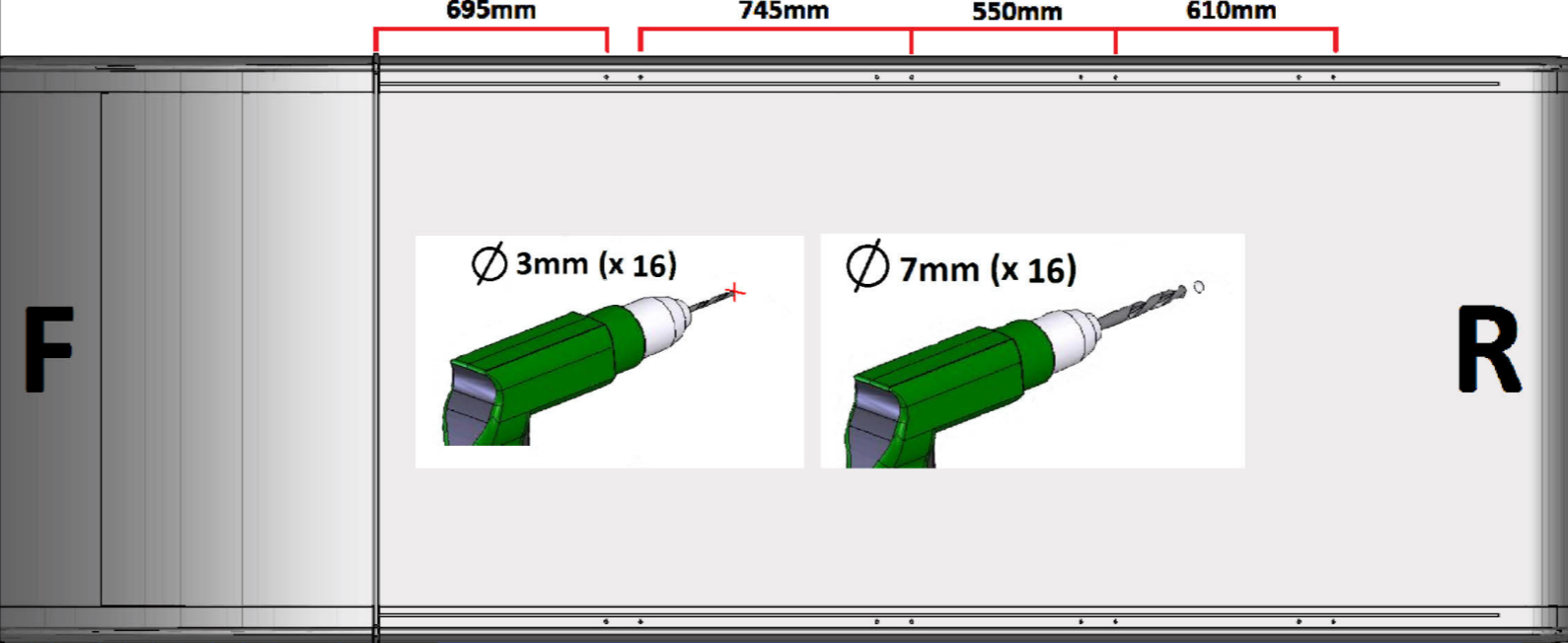


90mm
(=) (=)

L2 H3 1b.

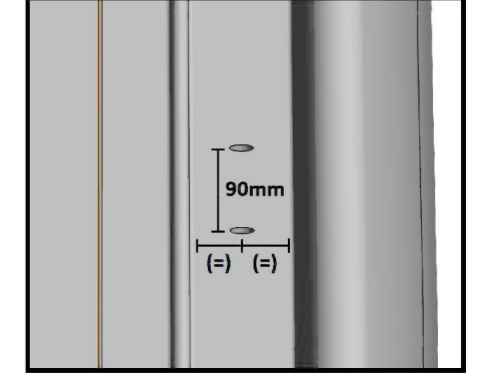


L2 H3



F **R**

$\varnothing 3\text{mm (x 16)}$ $\varnothing 7\text{mm (x 16)}$



90mm
(=) (=)

