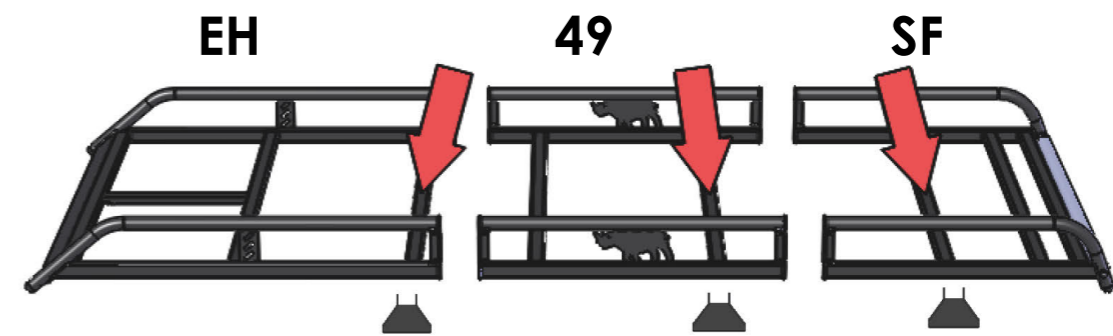
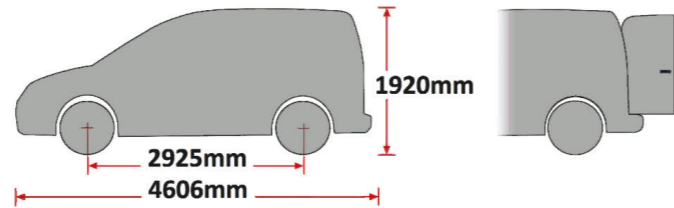


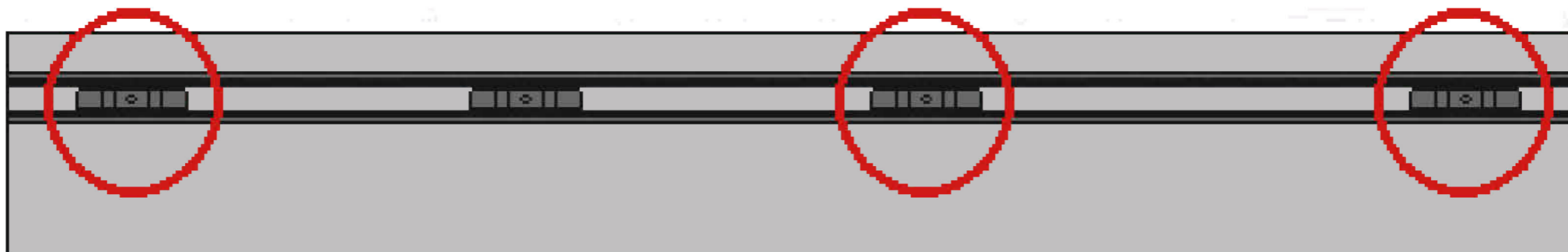
# EU/R 659



**JUMPY/DISPATCH/EXPERT/PROACE  
2016-  
L1, H1, TWIN DOORS**



(FRONT)

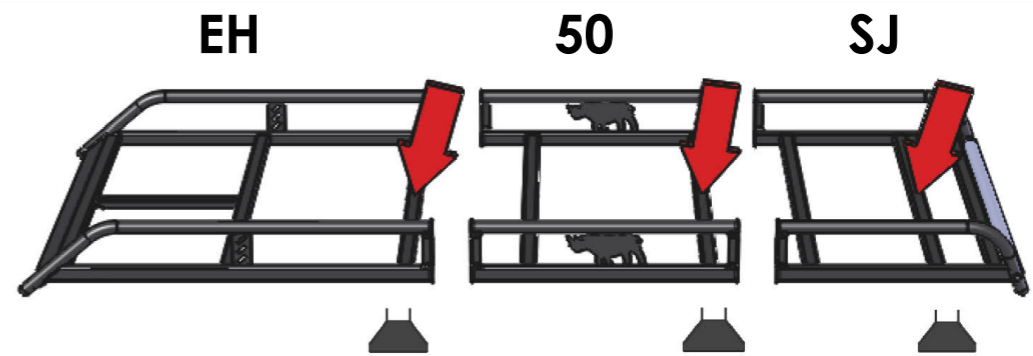
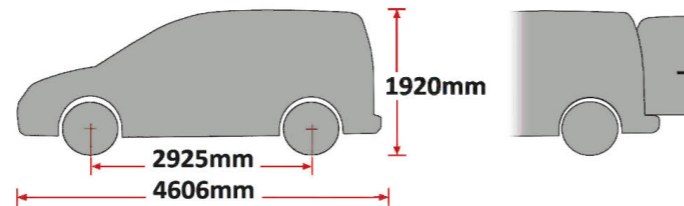


(REAR)

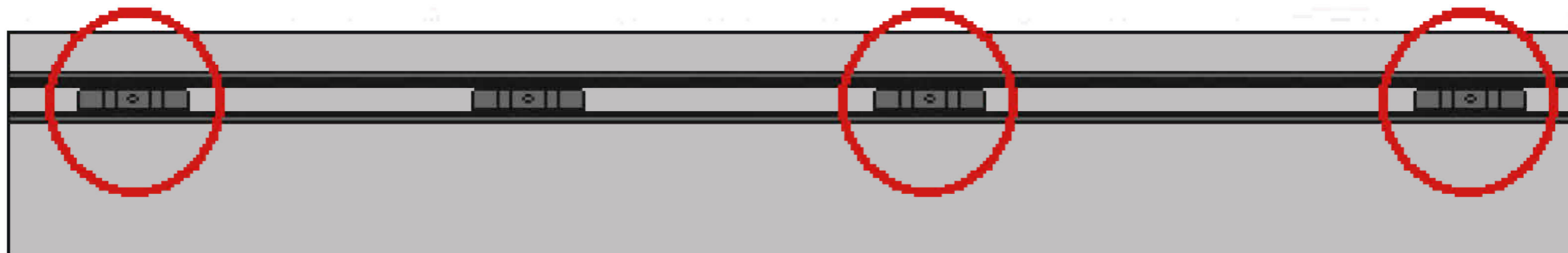
# EU/R 660



**JUMPY/DISPATCH/EXPERT/PROACE  
2016-  
L1, H1, TAILGATE**



(FRONT)



(REAR)

